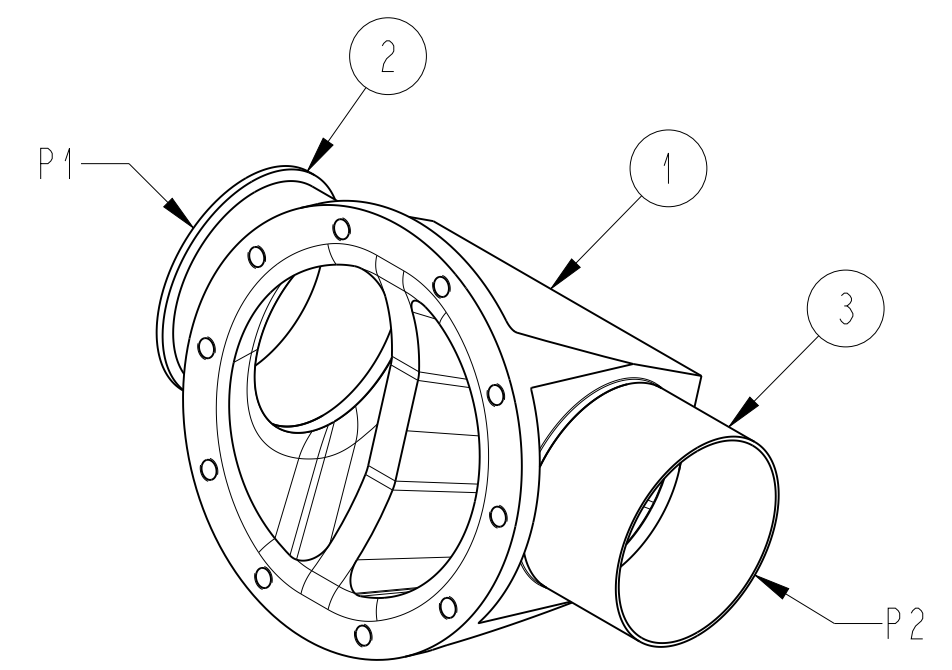
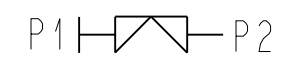
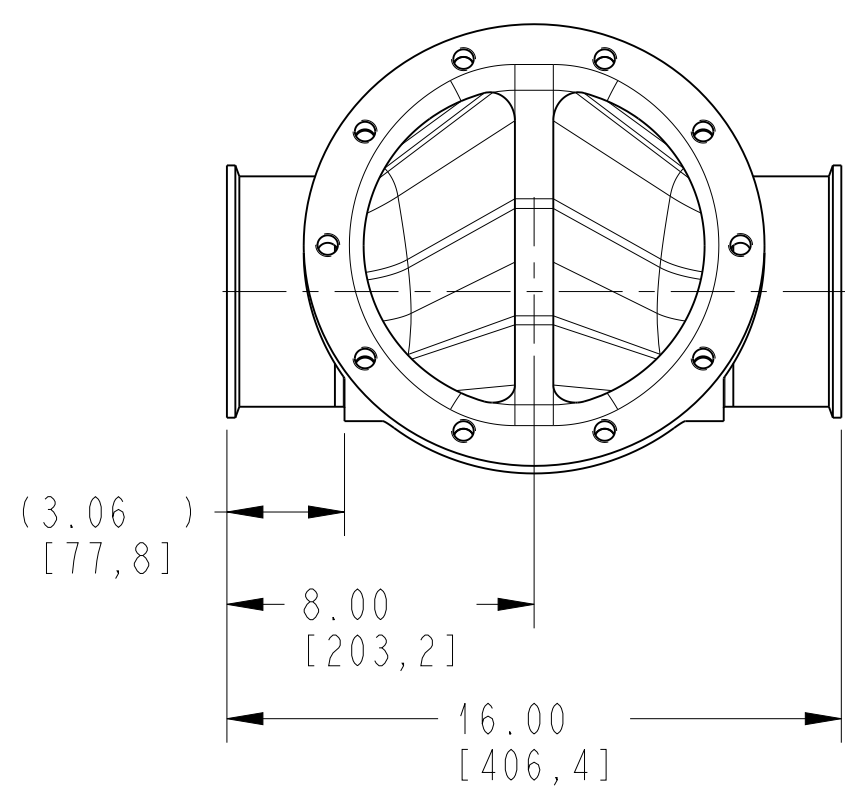


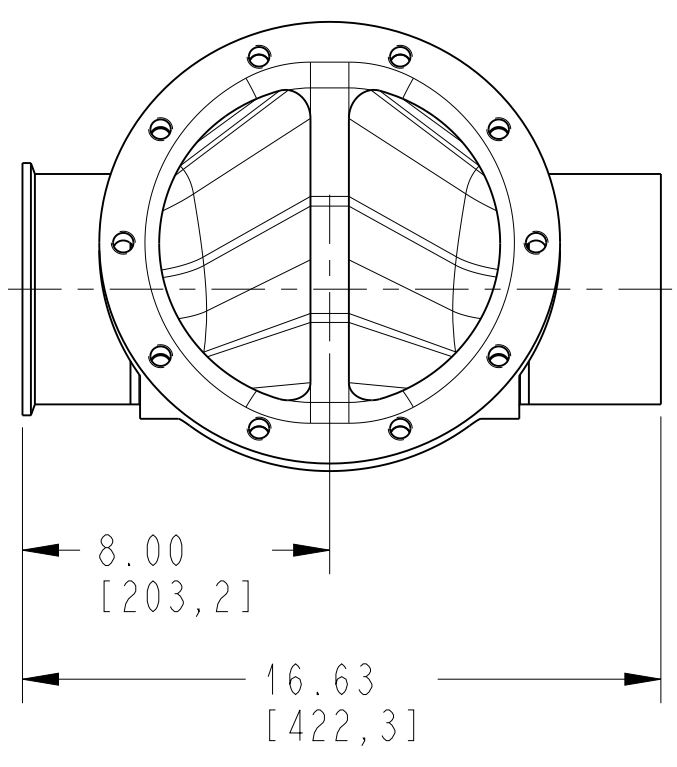
P & ID		LIST OF MAJOR COMPONENTS	
ITEM		DESCRIPTION	
1		6" WROUGHT VALVE BODY, (122238)	
2		FERRULE TRI-CLAMP 06.00-12GA AW	
3		TUBING 06.00-12GA	



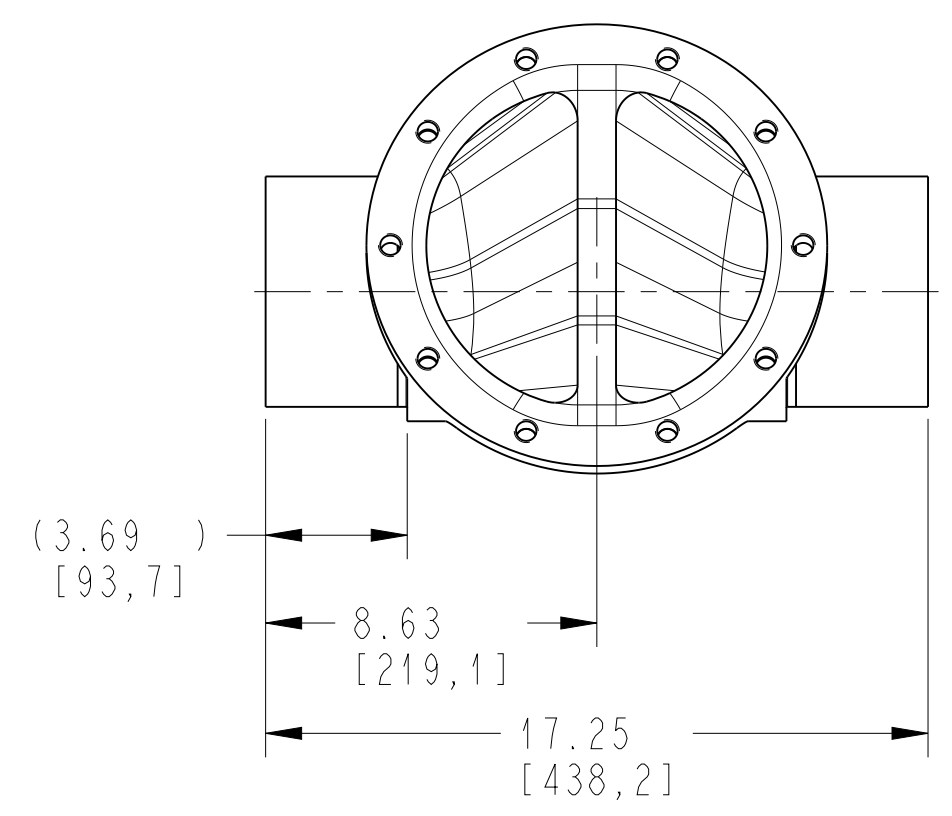
ISOMETRIC VIEW



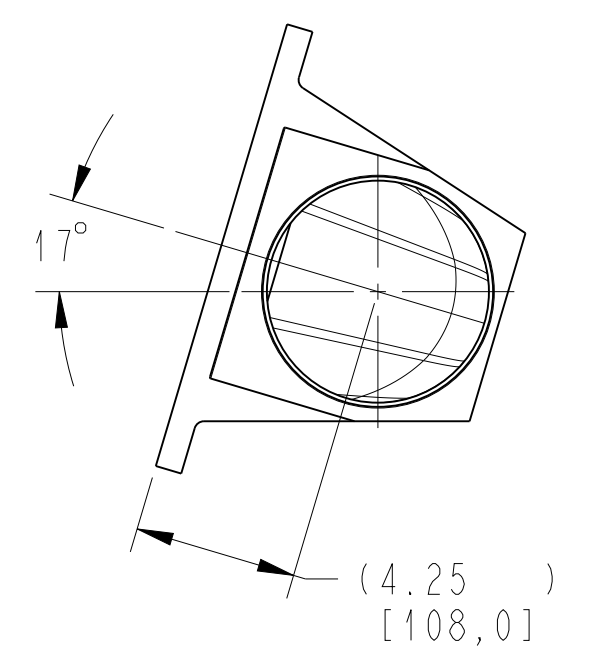
FRONT VIEW



FRONT VIEW



FRONT VIEW



SIDE VIEW

HORIZONTAL MOUNT
DRAIN ANGLE

THIS DOCUMENT IS THE SOLE PROPERTY OF ITT CORPORATION, OR ITS SUBSIDIARY, AND IS PROVIDED SUBJECT TO RETURN. IT IS ISSUED IN STRICT CONFIDENCE AND SHALL NOT BE REPRODUCED, OR COPIED, OR DISCLOSED IN WHOLE OR IN PART, OR USED AS THE BASIS FOR THE MANUFACTURE OR SALES OF APPARATUS OR PARTS TO WHICH THE DOCUMENT RELATES, WITHOUT THE EXPRESS WRITTEN CONSENT OF ITT CORPORATION, OR ITS SUBSIDIARY. THIS LEGEND SHALL BE MARKED ON ANY REPRODUCTION HEREOF, IN WHOLE OR IN PART. ALL RIGHTS TO THE INFORMATION AND DESIGN DISCLOSED HEREIN ARE RESERVED TO ITT CORPORATION, OR ITS SUBSIDIARY.

PURE-FLO ORDER: -	ITEM: -	THIRD ANGLE PROJECTION	UNLESS OTHERWISE NOTED	DATE	BY	6" VALVE ASSY. WITH OPTIONAL END CONNECTIONS	 Pure-Flo www.ittpureflo.com
CUSTOMER: -			INCH MM	DWN 12/18/12	LFV		
CUSTOMER PO: -			X = ± 0.06 .X = ± 0.06 .XX = ± 0.06 .XXX = ± 0.02 X/X = ± 1/16 X° = ± 1° X' = ± 5'	CHKD 12/18/12	JRD		C A28172 SHEET 1 OF 1 REV -
OTHER INFO: -		UNLESS OTHERWISE SPECIFIED, ALL DIMENSIONS ARE IN INCHES/MM		APVD 12/18/12	JRD	MASTER DWG: A28172/-	
						ECN# 14607	ISSUED BY: - CERT BY: -